

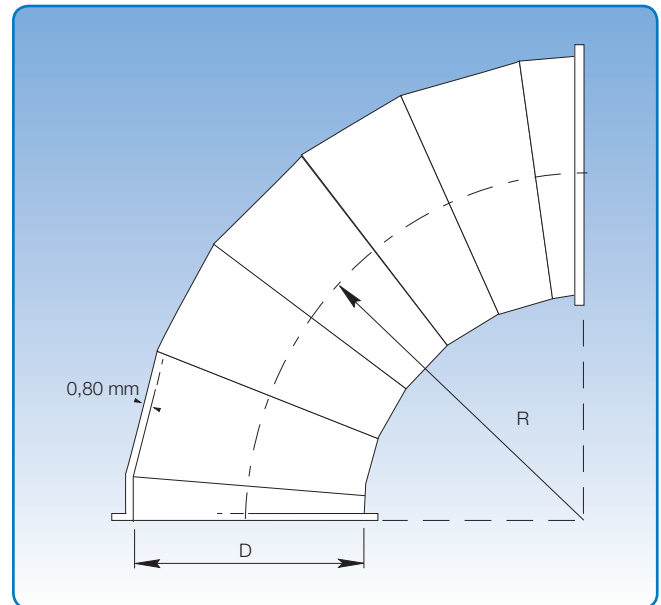
Segment bends, stainless steel

Technical catalogue: Duct systems, stainless steel
Section: Duct systems
Page: 6/12
Revised: 01.12.2014

Diameter: $\phi 140$ - $\phi 1000$ mm.

Segment bends are made of 0.80 mm sheet metal.

Segment bends are available in other radii to order.



Dimensional specifications are given in the table below.
 $R = 1.5 \times D$ for all dimensions.

Dimensions										
D mm	90°		60°		45°		30°		15°	
	Item no.	kg	Item no.	kg	Item no.	kg	Item no.	kg	Item no.	kg
140	11991492	1,14	11991462	0,79	11991442	0,61	11991432	0,44	11991412	0,26
160	11991692	1,55	11991662	1,05	11991642	0,75	11991632	0,50	11991612	0,30
175	11991892	1,70	11991862	1,17	11991842	0,91	11991832	0,64	11991812	0,37
180	11991992	1,95	11991962	1,25	11991942	0,95	11991932	0,70	11991912	0,35
224	11992290	3,07	11992262	2,09	11992245	1,60	11992232	1,11	11992212	0,63
250	11992592	3,72	11992562	2,53	11992542	1,94	11992532	1,34	11992512	0,75
300	11993092	5,16	11993062	3,50	11993042	2,67	11993032	1,84	11993012	1,01
315	11993262	3,90	11993262	3,90	11993242	2,85	11993232	1,90	11993212	1,10
350	11993592	6,84	11993562	4,63	11993542	3,53	11993532	2,42	11993512	1,32
400	11994092	8,75	11994062	5,91	11994042	4,49	11994032	3,08	11994012	1,66
450	11994592	12,00	11994562	7,95	11994542	6,10	11994532	4,15	11994512	2,20
500	11995092	14,65	11995062	9,85	11995042	7,40	11995032	5,00	11995012	2,60
550	11995592	18,00	11995562	13,50	11995542	9,00	11995532	6,80	11995512	1,70
600	11996092	21,50	11996062	16,10	11996042	10,75	11996032	8,05	11996012	4,00
630	11996592	22,40	11996562	16,80	11996542	11,20	11996532	8,40	11996512	4,20
650	11997092	25,00	11997062	18,80	11997042	12,50	11997032	9,40	11997012	4,70
700	11997592	29,00	11997562	21,80	11997542	14,50	11997532	10,90	11997512	5,40
750	11998092	33,00	11998062	24,80	11998042	16,50	11998032	12,40	11998012	6,20
800	11998592	37,50	11998562	28,10	11998542	18,75	11998532	14,05	11998512	7,00
850	11999092	42,50	11999062	32,00	11999042	21,25	11999032	16,00	11999012	8,00
900	11999592	48,00	11999562	36,00	11999542	24,00	11999532	18,00	11999512	9,00
950	12000092	53,00	12000062	39,80	12000042	26,50	12000032	20,00	12000012	10,00
1000	12000592	59,00	12000562	44,00	12000542	29,50	12000532	22,00	12000512	11,00

The item numbers stated are for segment bends assembled using pull rings [f.b].

Segment bends are also available for other assembly methods. See p. 5 for assembly methods.