

45° straight branch pieces, galvanised

Technical catalogue: Galvanised
 Section: 01
 Page: 8/16
 Revised: 01.05.2009

Diameter: ø80 – ø1000 mm.

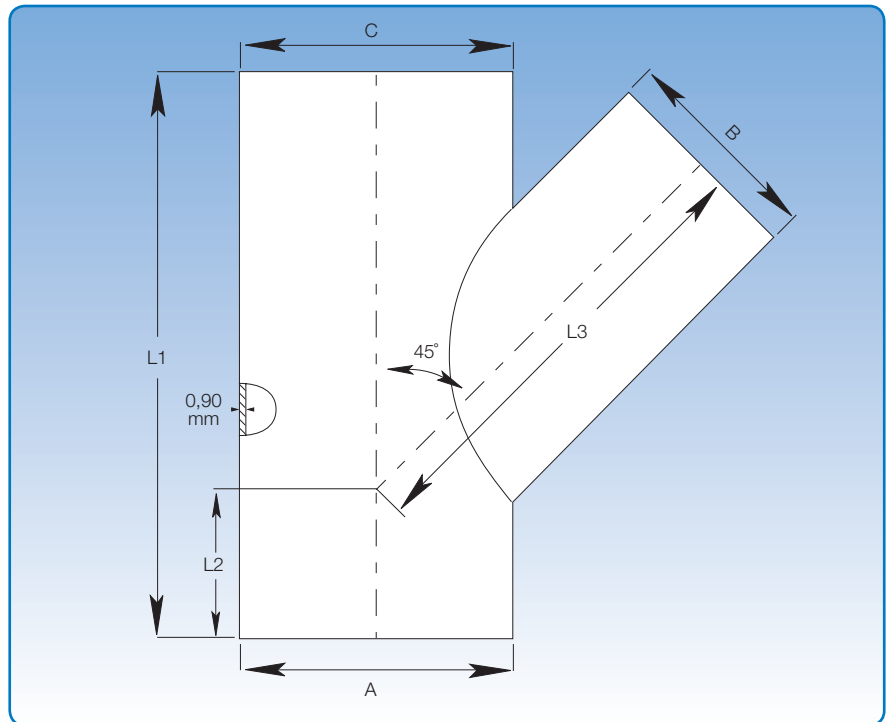
Galvanised branch pieces are made of 0.90 mm sheet metal.

When supplied with loose flanges, [f.b.m.fl], L1 is extended by 2 x 50 mm.

State A-, B- and C dimensions when ordering.
 Options are limited by A = C, and A ≥ B.
 A = C must be max. 1000 mm.

The branch determines the length of L1.
 Branch pieces are always straight with the branch centrally located.

L1, L2 and L3 can be calculated using the stated formulas.



Calculating L2 and L3:

L1 = see table

$$L2 = \frac{1}{2} \times \left(L1 - \frac{A}{\text{tg} \alpha} \right)$$

$$L3 = \frac{L1 - L2}{\cos \alpha} - \left(\frac{B}{2} \times \text{tg} \alpha \right)$$

Example:

A = 500, B = 450, C = 500

L1 = 950 mm

$$L2 = 0,5 \times \left(950 - \frac{500}{\text{tg} 44,7} \right) = 0,5 \times (950 - 505,26)$$

L2 = - 222,37 ~ - 222 mm

$$L3 = \frac{950 + 222}{\cos 44,7} - \left(\frac{450}{2} \times \text{tg} 44,7 \right) = 1024,19 - 222,66$$

L3 = 801,53 ~ 802 mm

Dimensions						
A = C mm	B mm	L1 mm	L2 mm	L3 mm	α	
Select (80 - 1000)	80	300			43,8	
	100	300			43,8	
	120	350			44,0	
	125	350			44,0	
	140	350			44,1	
	150	400			44,2	
	160	400			44,2	
	180	400			44,3	
	200	450			44,4	
	225	500			44,5	
	250	500			44,5	
	275	600		Calculate	Calculate	44,6
	300	600				44,6
	315	600				44,6
	350	700				44,7
	400	800				44,7
	450	950				44,7
	500	950				44,8
	550	1150				44,8
	600	1050				44,8
630	1150		44,8			
650	1150		44,8			
700	1300		44,8			
750	1300		44,8			
800	1450		44,9			
850	1450		44,9			
900	1650		44,9			