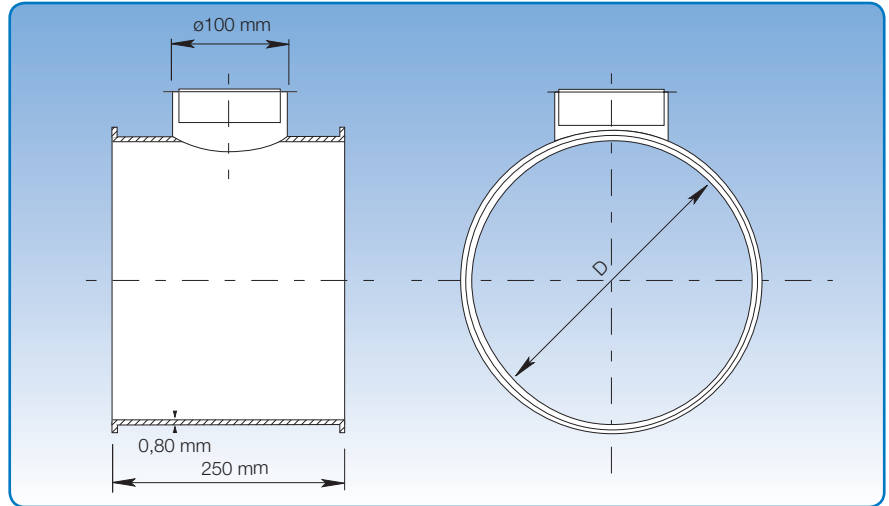


Ducts with cleaning spigot, stainless steel

Technical catalogue: Duct systems, stainless steel
 Section: Duct systems
 Page: 4/12
 Revised: 01.12.2014

Diameter: $\varnothing 100$ - $\varnothing 400$ mm.

PVC lid is easy to put on and take off. All cleaning spigots have a $\varnothing 100$ mm opening.



Dimensional specifications are given in the table below.

| Item no. | Dimensions | | Weight kg |
|----------|------------|--|--------------|
| | D | | |
| 4671115 | 100 | | 0,90 |
| 4671116 | 120 | | 1,14 |
| 4671118 | 140 | | 1,33 |
| 4671119 | 150 | | 1,43 |
| 4675116 | 175 | | 1,66 |
| 4675117 | 200 | | 1,90 |
| 4675118 | 224 | | 2,14 |
| 4675119 | 250 | | 2,38 |
| 4675120 | 300 | | 2,52 |
| 4680116 | 350 | | 3,09 |
| 4680117 | 400 | | 4,28 |

The item numbers stated are for ducts with cleaning spigot assembled using pull rings [f.b].

Ducts with cleaning spigot are also available for other assembly methods. See p. 5 for assembly methods.