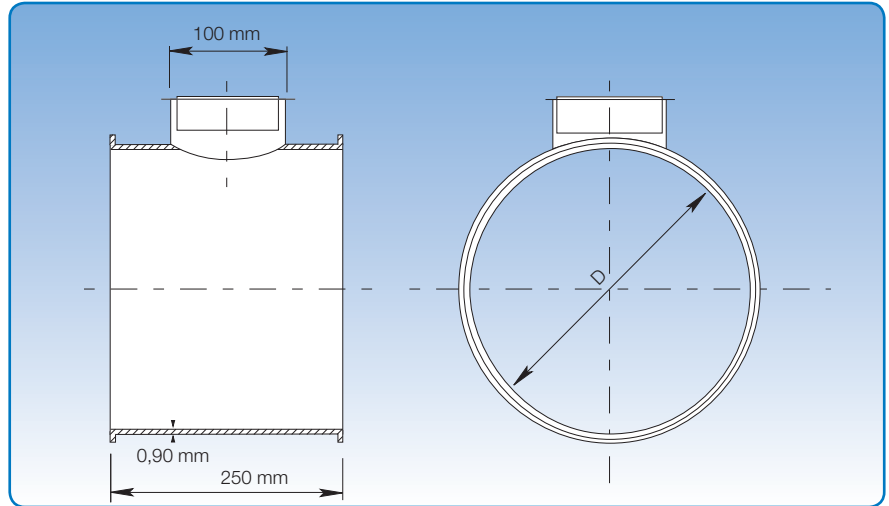


Ducts with cleaning spigot, galvanised

Technical catalogue: Galvanised
Section: 01
Page: 4/16
Revised: 01.05.2009

Diameter: $\varnothing 100$ - $\varnothing 400$ mm.

The PVC cover is easy to fit and remove.
 All cleaning spigots have a $\varnothing 100$ mm opening.



Dimensional specifications are given in the table below.

Item no.	Dimensions		Weight kg
	D mm		
4671101	100		0,50
4671102	120		0,60
4671103	125		0,65
4671104	140		0,70
4671105	150		0,75
4675101	160		0,80
4675102	180		0,85
4675103	200		1,00
4675104	225		1,15
4675105	250		1,25
4675106	275		1,35
4680101	300		1,45
4680102	315		1,50
4680103	350		1,65
4680104	400		2,25

The item numbers stated are for ducts with cleaning spigots assembled using pull rings [f.b].

Ducts with cleaning spigots are also available for other assembly methods. See p. 6 for assembly methods.