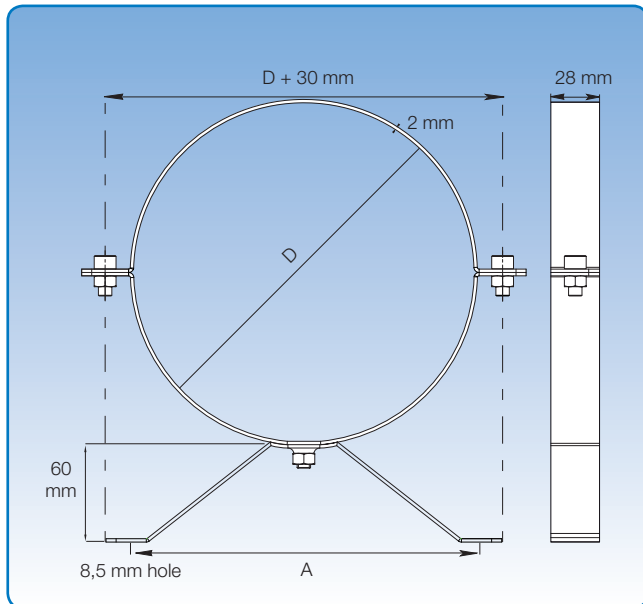


Clip bands, galvanised



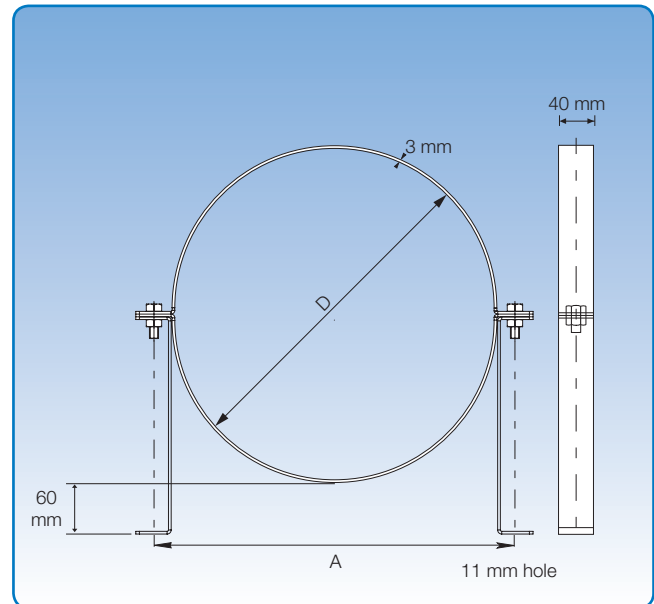
Diameter: $\varnothing 80 - \varnothing 315$ mm.

Supplied for mounting JKF duct systems. 3 different mounting principles: with legs, wall mounted and hanging.

Recommended distance between bands: 1 band to every other assembly.

They are supplied in plastic bags of 5, along with the necessary nuts and bolts.

s = 2 mm			
Item no. without legs	D mm	A mm	Weight kg
4670280	80	132	0,27
4671280	100	132	0,29
4672290	120	132	0,32
4673280	125	132	0,33
4674280	140	132	0,35
4675280	150	132	0,36
4676280	160	132	0,38
4677280	180	210	0,43
4678280	200	210	0,46
4679280	225	210	0,50
4680280	250	210	0,53
4688289	275	210	0,57
4681280	300	210	0,60
4682280	315	210	0,62



Diameter: $\varnothing 350 - \varnothing 800$ mm.

Supplied for mounting JKF duct systems. 3 different mounting principles: with legs, wall mounted and hanging.

Recommended distance between bands: 1 band to every other assembly.

s = 3 mm			
Item no. without legs	D mm	A mm	Weight kg
4683280	350	399	1,66
4683290	375	424	1,71
4689280	400	679	1,83
4684290	425	474	1,91
4685280	450	499	2,01
4685290	475	524	2,08
4686280	500	549	2,27
4687280	550	599	2,33
4688280	600	649	2,42
4689280	630	679	2,51
4690280	650	699	3,64
4691280	700	749	3,88
4692280	750	799	4,09
4693280	800	849	4,31