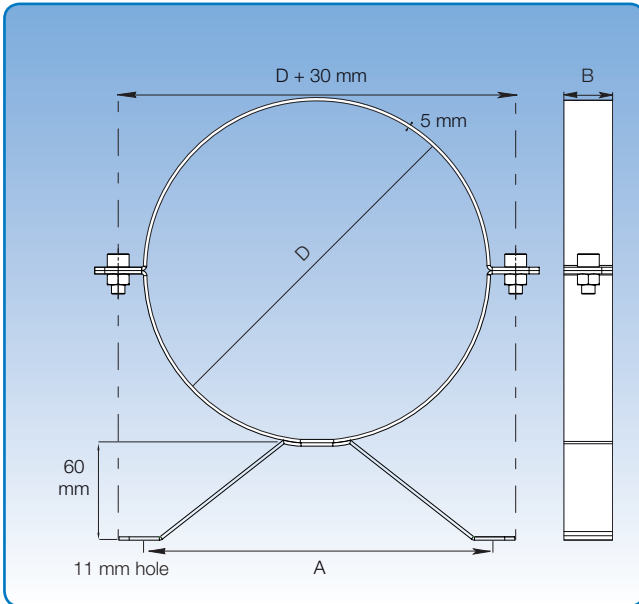


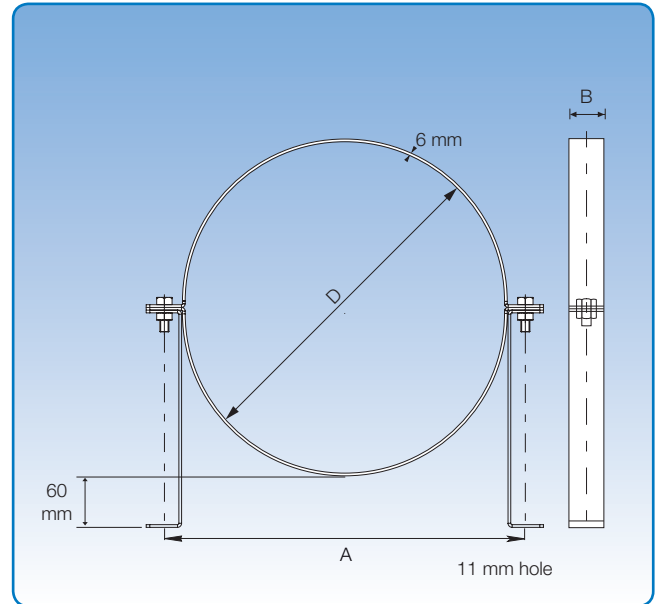
Clip bands, primed, heavy design



Diameter: $\varnothing 80 - \varnothing 315$ mm.

Supplied for mounting JKF duct systems. Can be used for 3 different mounting principles.

Recommended distance between bands: 1 band to every other assembly.



Diameter: $\varnothing 350 - \varnothing 1000$ mm.

Supplied for mounting JKF duct systems. Can be used for 3 different mounting principles.

Recommended distance between bands: 1 band to every other assembly.

s = 5 mm				
Item no.	D mm	B mm	A mm	Weight kg
4621080	80	25	132	0,58
4621100	100	25	132	0,64
4621120	120	25	132	0,70
4621125	125	25	132	0,72
4621140	140	25	132	0,77
4621150	150	25	132	0,79
4621160	160	25	132	0,82
4621180	180	25	210	0,94
4621200	200	25	210	1,00
4621225	225	25	210	1,08
4621250	250	25	210	1,16
4621275	275	25	210	1,23
4621300	300	25	210	1,31
4621315	315	25	210	1,35

s = 6 mm				
Item no.	D mm	B mm	A mm	Weight kg
4623280	350	30	401	2,60
4624280	400	30	451	2,89
4625280	450	30	501	3,18
4626280	500	30	551	3,49
4627280	550	30	601	3,77
4628280	600	30	651	4,06
4629280	630	30	681	4,21
4630280	650	30	701	4,36
4631280	700	40	761	6,33
4632280	750	40	811	6,74
4633280	800	40	861	7,11
4634280	850	40	911	7,50
4635280	900	40	961	7,89
4636280	950	40	1011	8,30
4637280	1000	40	1061	8,69