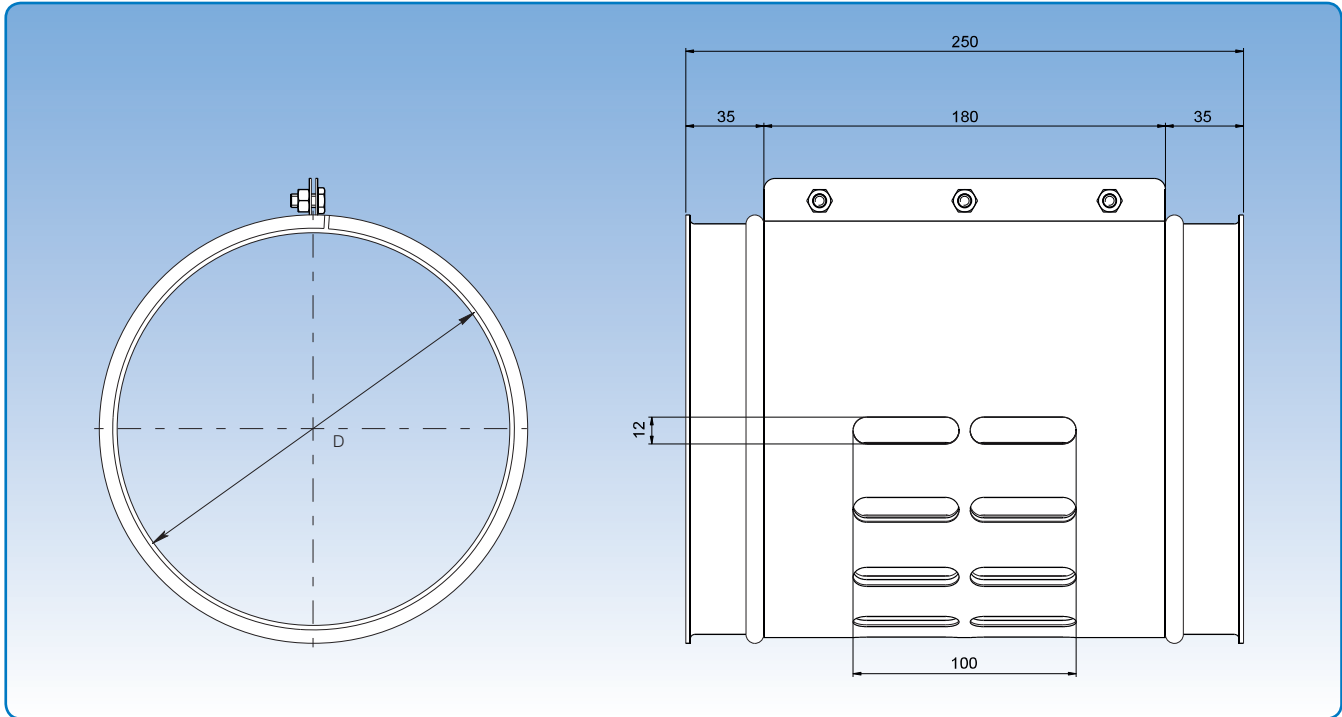


## False air valves, galvanised



Diameter:  $\varnothing 80 - \varnothing 400$  mm.

Made of 0.90 mm sheet metal.

"False" air is regulated by turning the external button.

Item no.	Dimensions		Weight kg
	D mm		
90500001	80		0,95
90500002	100		1,60
90500003	120		0,90
9050000301	125		0,95
905000031	140		1,65
905000032	150		1,25
905000033	160		1,95
905000034	180		2,20
905000035	200		2,45
905000036	225		2,80
905000037	250		3,15
905000038	275		3,50
905000039	300		3,85
9050000391	315		4,30
9050000392	350		4,78
9050000393	400		5,60

The item numbers stated are for false air valves assembled using pull rings [f.b].

False air valves are also available for other assembly methods. See p. 6 for assembly methods.