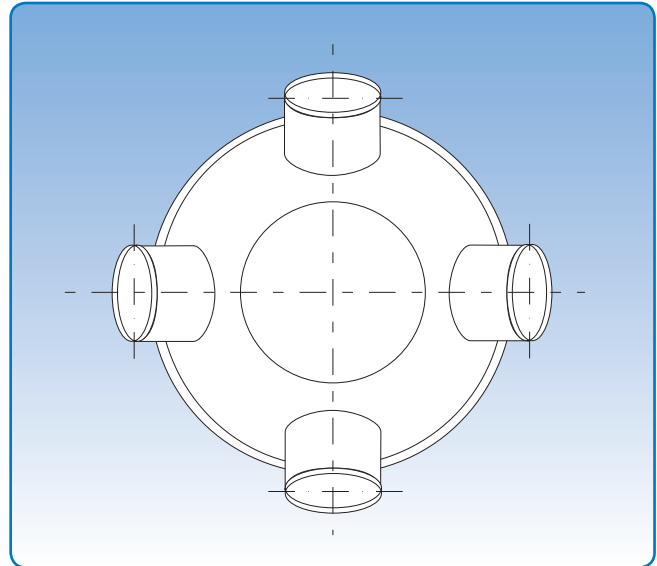
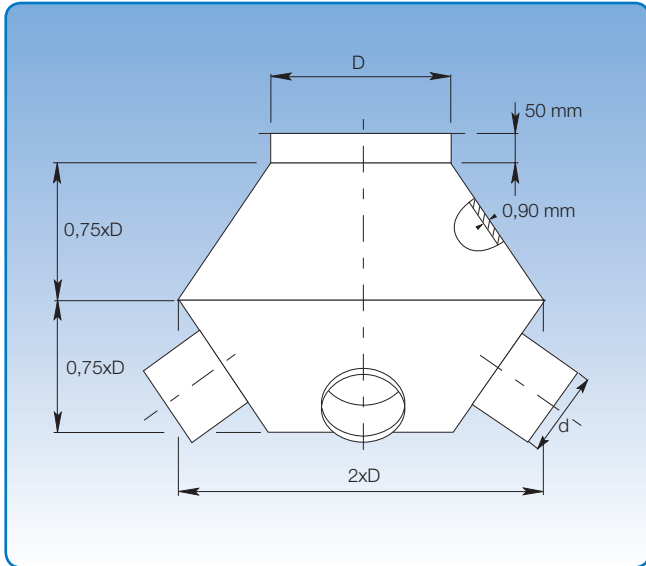


Sputniks, galvanised

Technical catalogue: Accessories
 Section: 09
 Page: 5/7
 Revised: 01.05.2009



Dimensional specifications are given in the table below.

Diameter: $\varnothing 80 - \varnothing 500$ mm.

Sputniks are made of 0.90 mm galvanised sheet metal (s).

Sputniks are for use where several suction intakes are merged into a single duct.

Sputniks are available with 2 - 9 suction spigots.

State D and d and number of suction spigots plus assembly method when ordering.

Dimensions	
D mm	Weight kg
80	1,28
100	1,60
120	2,00
125	2,60
150	3,27
160	4,09
180	5,12
200	6,40
250	8,00
300	10,00
315	12,00
350	14,50
400	17,40
450	21,00
500	25,00