

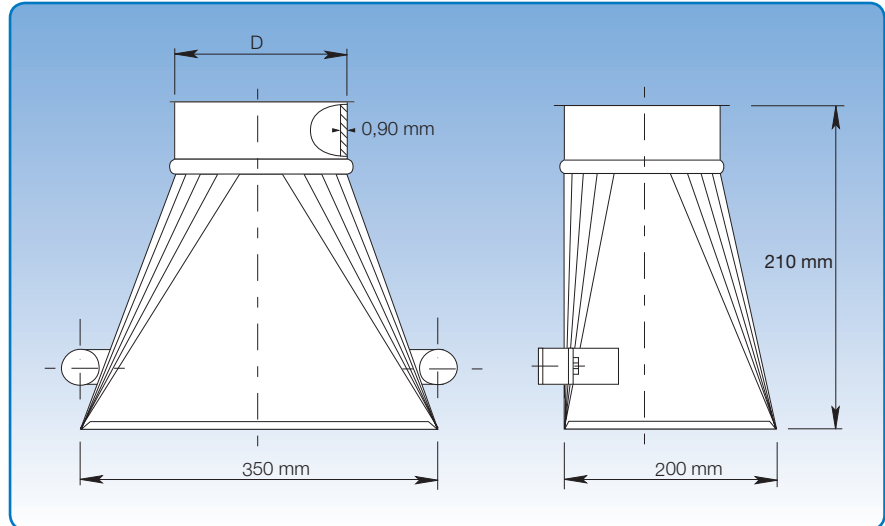
Cutting screens, galvanised

Technical catalogue: Accessories
 Section: 09
 Page: 3/7
 Revised: 01.05.2009

Diameter: $\varnothing 100 - \varnothing 150$ mm.

JKF's standard range includes cutting screens made of 0.90 mm galvanised sheet metal (s).

Screens supplied with mounting magnets.



Dimensional specifications are given in the table below.

Item no.	Dimensions		Weight kg
	D mm		
4671601	100		1,50
4671602	120		1,75
4671603	125		1,89
4671604	140		2,00
4671605	150		2,25

The item numbers stated are for cutting screens assembled using rapid lock pull rings [f.lyn].