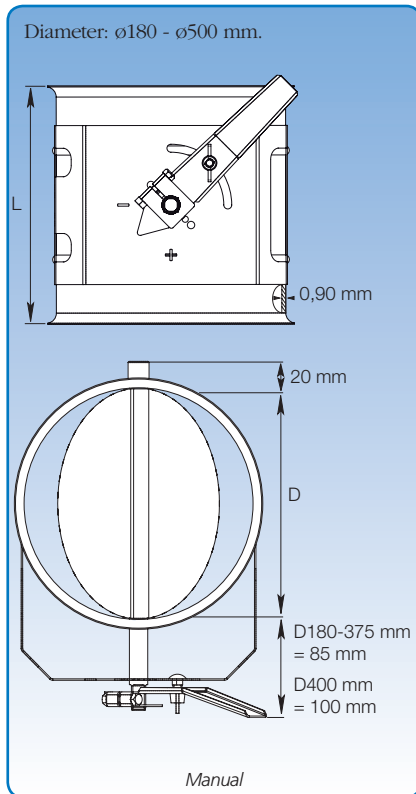
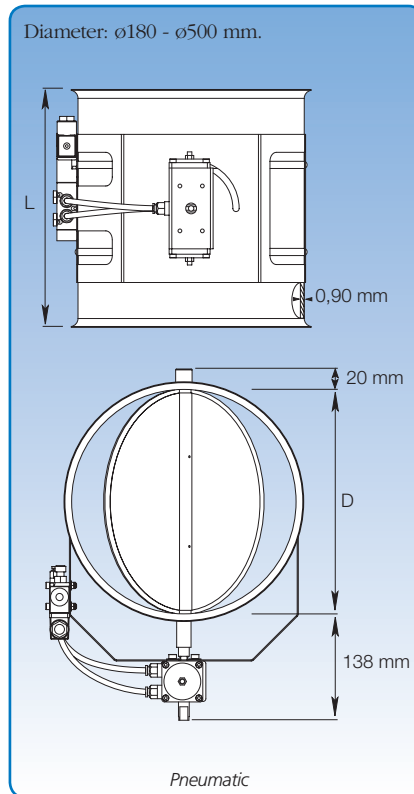


## Throttle valves, galvanised, manual, pneumatic and electric



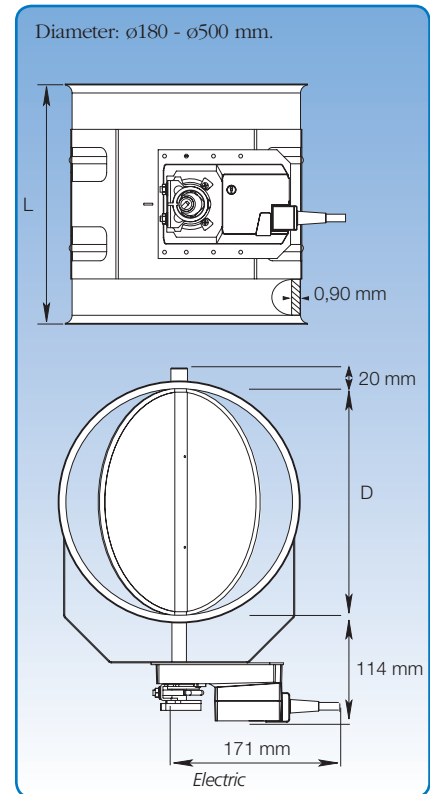
### General

Throttle valves are made of 0.90 mm sheet metal and damper in double sheet. Throttle handle indicates damper position, and can be variably set between open and closed. Available with natural rubber gasket. Maximum closure 96%. Larger throttle valves can be supplied upon request.



### With pneumatic actuator

The damper is turned by a pneumatic actuator controlled by an electrically-operated valve. Solenoid valve: monostable 5/2 valve with 1 x 230 V AC - 50/60 Hz electric coil or 24 V DC. Pneumatic pressure: 4-6 bar. Valve setting indicators are available as an optional extra. Larger throttle valves can be made to order.



### With electric actuator

The damper is operated by an electric motor activated by a changeover switch. Valve setting indicators are available as an optional extra. Electrical connection: 230 V AC - 50 Hz or 24 V DC. Larger throttle valves can be made to order.

### Dimensions

Item no. (Man. stand)	Item no. (Man tight)	Item no. (Pneu.)	Item no. (Elec.)	D mm	L mm	Weight (Man.) kg	Weight (Pneu.) kg	Weight (Elec.) kg
1577112	1517112	1517512	1517312	180	210	1,90	2,85	3,55
1578112	1518112	1518512	1518312	200	210	2,20	3,15	3,85
1579112	1519112	1519512	1519312	225	240	2,55	3,60	4,20
1580112	1520112	1520512	1520312	250	265	3,05	4,00	5,05
1580142	1520612	1520912	1520712	275	290	3,50	4,50	5,50
1581112	1521112	1521512	1521312	300	315	4,30	5,20	6,30
1581142	1521612	1521912	1521712	315	330	4,30	5,50	6,50
1582112	1522112	1522512	1522312	350	365	4,77	6,30	6,50
1583112	1523112	1523512	1523312	400	415	5,50	7,60	7,50
1584112	1524112	1524512	1524312	450	465	6,10	9,30	9,70
1585112	1525112	1525512	1525312	500	515	13,10	11,03	11,45

The item numbers stated are for throttle valves assembled using pull rings [f.b].

Throttle valves are also available for other assembly methods. See p. 6 for assembly methods.