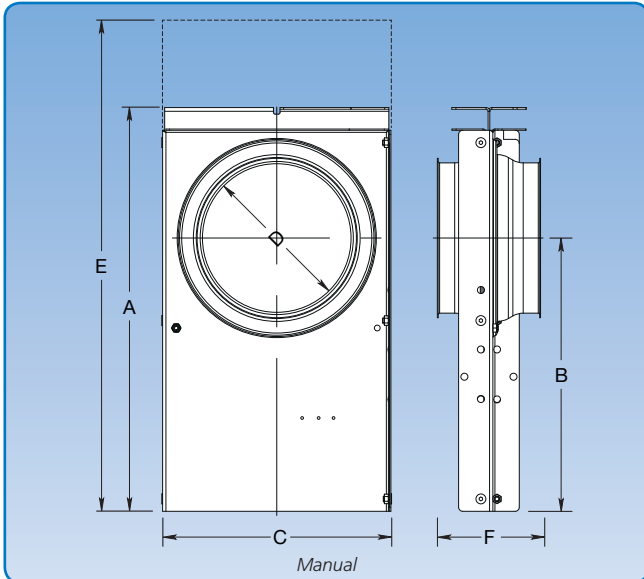


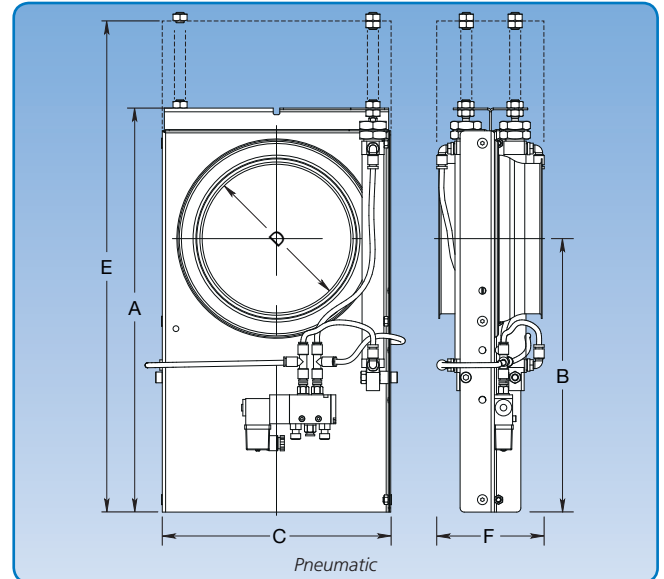
Tight sliding dampers, galvanised, manual & pneumatic



Dimensional specifications are given in the table below.

General

Sliding dampers are made of 1.50 mm, 2.00 mm and 2.50 mm galvanised sheet metal (s). The damper plate slides in the polyether and PEHD gaskets to ensure optimum tightness.



Dimensional specifications are given in the table below.

With pneumatic actuator

The pneumatic damper is for $\varnothing 50$ up to $\varnothing 160$ mm fitted with 1 pneumatic cylinder. From $\varnothing 180$ it is fitted with 2 pneumatic cylinders.

Dimensions												
Item no. (Man.)	Item no. (Pneu./ 24 V DC)	Item no. (Pneu./ 230 V AC)	D mm	A mm	B mm	C mm	E mm	F mm	Material thickness Damper plate (mm)	Material thickness Damper house (mm)	Weight (kg) Manual	Weight (kg) Pneu.
1460001	1461001	1461505	50*	220	130	140	295	145	2,0	1,5	1,7	2,8
1460005	1461005	1461515	63*	220	130	140	295	145	2,0	1,5	1,7	2,8
1460007	1461007	1461525	76*	250	150	160	340	145	2,0	1,5	2,1	3,2
1460010	1461010	1461535	80	250	150	160	340	125	2,0	1,5	2,1	3,1
1460035	1461035	1461545	100	290	180	180	400	125	2,0	1,5	2,6	3,6
1460045	1461045	1461555	108*	340	220	205	475	145	2,0	1,5	3,3	4,7
1460060	1461060	1461565	120	340	220	205	475	125	2,0	1,5	3,3	4,3
1460085	1461085	1461575	125	340	220	205	475	125	2,0	1,5	3,3	4,3
1460110	1461110	1461585	140	390	255	230	550	125	2,0	1,5	4,0	5,1
1460135	1461135	1461595	150	390	255	230	550	125	2,0	1,5	4,0	5,1
1460140	1461140	1461600	152*	390	255	230	560	145	2,0	1,5	4,3	5,4
1460160	1461160	1461605	160	410	270	240	580	125	2,0	1,5	4,3	5,5
1460185	1461185	1461615	180	490	330	280	700	125	2,0	1,5	5,7	7,5
1460210	1461210	1461625	200	490	330	280	700	125	2,0	1,5	5,8	7,5
1460235	1461235	1461635	225	590	405	350	850	165	3,0	2,0	11,7	13,5
1460260	1461260	1461645	250	590	405	375	850	165	3,0	2,0	12,1	14,0
1460275	1461275	1461655	275	650	445	400	975	165	3,0	2,0	14,7	18,7
1460285	1461285	1461665	300	730	505	425	1055	165	3,0	2,0	16,6	20,7
1460310	1461310	1461675	315	730	505	440	1055	165	3,0	2,0	16,9	20,9
1460335	1461335	1461685	350	800	555	475	1160	165	3,0	2,0	19,6	23,9
1460360	1461360	1461695	400	900	630	525	1310	165	3,0	2,0	23,5	28,5
1460385	1461385	1461705	450	1035	705	625	1495	250	3,0	3,0	52,1	62,4
1460410	1461410	1461715	500	1135	780	675	1645	250	3,0	3,0	59,9	71,0

* Only supplied smooth.

The item numbers stated are for sliding dampers assembled using pull rings [f.b].

Sliding dampers are also available for other assembly methods. See p. 6 for assembly methods.